

This probe is specifically designed for flowrate measurement in open channels, rivers and sewers less wider than 15 m.

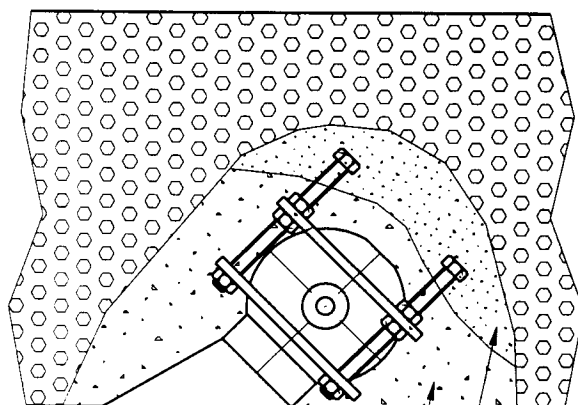
It can be orientated by some 10° according to the 3 axes after having being fixed onto a support or wall pre-embedded.

Dimensions : 120 x 120 x 120 mm.

Submersible probe under 10 m.

Temperature : - 50°C to + 50°C

### INSTALLATION



### RECOMMENDED CABLE

In order to avoid any disturbance or clogging up of floating matters, probes will be preferably embedded in walls (cf diagram opposite).

After having traced where the probe will theoretically be located, make the probe's lodging sufficiently wide enough to house the probe as well as a groove to embed the cable.

Pre-embed the threaded rods with a rapid cement, respecting at the same time a better orientation than the one predefined, i.e  $\pm 10^\circ$ .

Definitely orientate the two probes either using :

- a tubular pattern to meet the two probes
- or with an optical system or with a laser pointer

The two probes will be onlined with a maximum offset of  $\pm 5^\circ$ .

Complete embedment according to the diagram.

Use some twinax or reinforced twinax cable, delivered mounted and casted (pre-equipment : length to be specified with the order).

