

## µGard® Plastic Housing Type A for MA and MD Transmitters



### DESCRIPTION

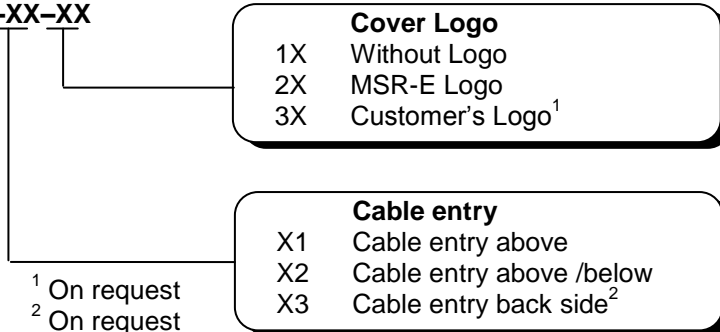
Plastic housing for enclosing the µGard MA and MD transmitter series.

### TECHNICAL DATA

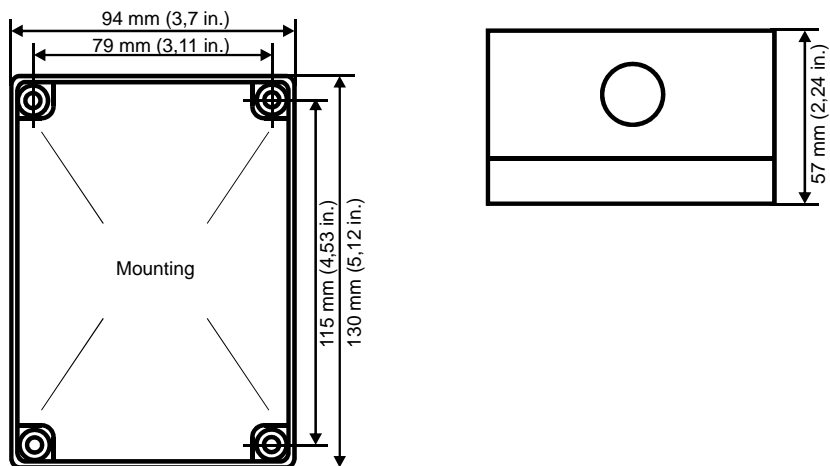
Enclosure Plastic Type A	Polycarbonate
Flammability	UL 94 V2
Enclosure colour	RAL 7032 (light grey)
Dimensions (W x H x D)	94 x 130 x 57 mm (3.7 x 5.12 x 2.24 in.)
Weight	Approx. 0.2 kg (0.44lbs.)
Protection class	IP 65
Installation	Wall mounting
Cable entry	Standard 1 x M 20
Wire connection	Screw type terminal 0.25 mm <sup>2</sup> to 2.5 mm <sup>2</sup> (24 AWG to 14 AWG)
Temperature range	-20 °C to 50 °C (-4 to 122 °F)
Gas inlet	Direct
Mounting accessories	M 20 screwing, mounting screws

### ORDERING INFORMATION

MT-A-XX-XX



### DIMENSIONS



## µGard® Plastic Housing Type B with Duct Mounting Set for MA and MD Transmitters

### DESCRIPTION

Plastic housing for enclosing the µGard MA and MD transmitter series for duct mounting.

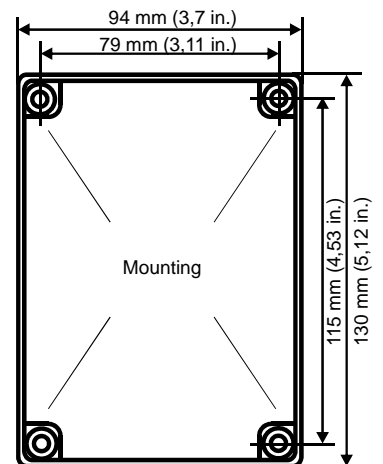
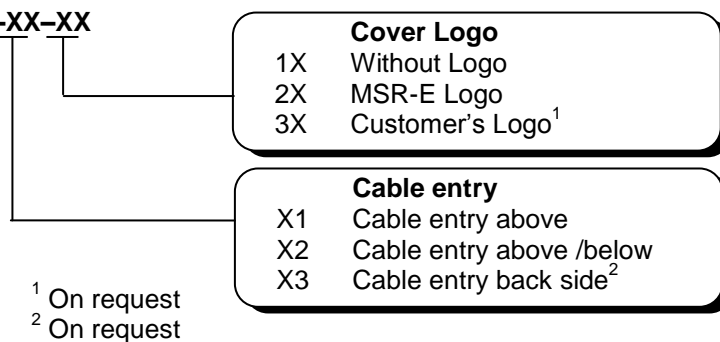


### TECHNICAL DATA

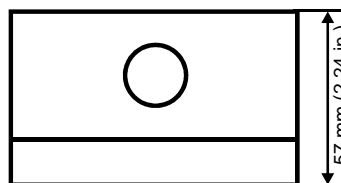
Enclosure Plastic Type B	Polycarbonate
Flammability	UL 94 V2
Enclosure colour	RAL 7032 (light grey)
Dimensions (W x H x D)	94 x 130 x 57 mm (3.7 x 5.12 x 2.24 in.)
Weight	Approx. 0.2 kg (0.44 lbs.)
Protection class	IP 65
Installation	Duct mounting
Cable entry	Standard 1 x M 20
Wire connection	Screw type terminal, 0.25 mm <sup>2</sup> to 2.5 mm <sup>2</sup> (24 AWG to 14 AWG)
Temperature range	-20 °C to 50 °C (-4 to 122 °F)
Accessories	M 20 screwing, mounting screws
Gas inlet	Via a sampling pipe/ connection tube
Flow speed	Min. 5000 m/h, max. 20,000 m/h
Duct diameter (ca.)	Min. 0.1 m, max. 1.0 m
Length of sampling pipe	250 mm, adaptable to the duct diameter by cutting to lengths: 192, 133 or 77 mm
Tube length	2 x 1000 mm
Mounting	- Arrow at the sampling set in flow direction - Always mount in the middle of the duct - Keep a minimum distance of 1000 mm to duct bends etc.

### ORDERING INFORMATION

MT-B-XX-XX



### DIMENSIONS



## µGard® Plastic Housing Type D and D1 for MA Transmitters



### DESCRIPTION

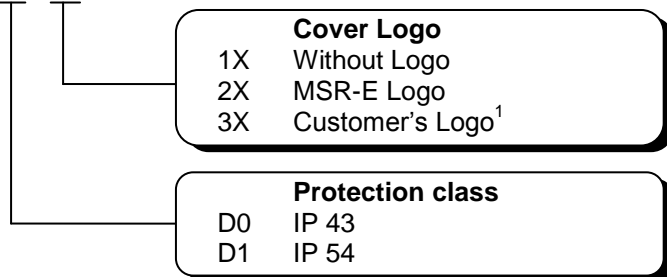
Plastic housing for enclosing the µGard MA transmitter series with protection classes IP43 and IP54.

### TECHNICAL DATA

Enclosure plastic type D	Polystyrene
Flammability	UL 94 V2
Enclosure colour	RAL 7032 (light grey)
Dimensions (W x H x D)	94 x 65 x 57 mm (3.7 x 2.55 x 2.24 in.)
Weight	Ca. 0.15 kg (0.33 lb.)
Protection classes	IP 43/ IP54
Installation	Wall mounting
Cable entry	Standard 1 x M 20
Wire connection	Screw type terminal, 0.25 mm <sup>2</sup> to 2.5 mm <sup>2</sup> (24 AWG to 14 AWG)
Temperature range	-20 °C to 50 °C (-4° to 122 °F)
Gas inlet	Direct
Accessories	M 20 screwing, mounting screws

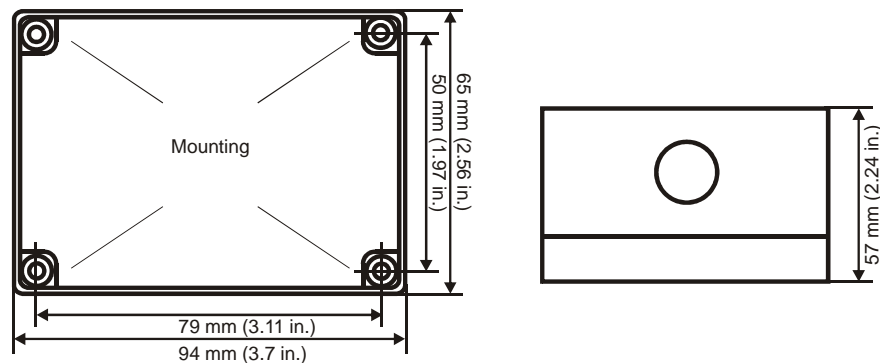
### ORDERING INFORMATION

MT-DX-XX



<sup>1</sup> On request

### DIMENSIONS



## µGard® Plastic Housing Type F and F1 for MA Transmitters

### DESCRIPTION

Round housing for enclosing the µGard MA transmitter series with protection classes IP 43 and IP 44.

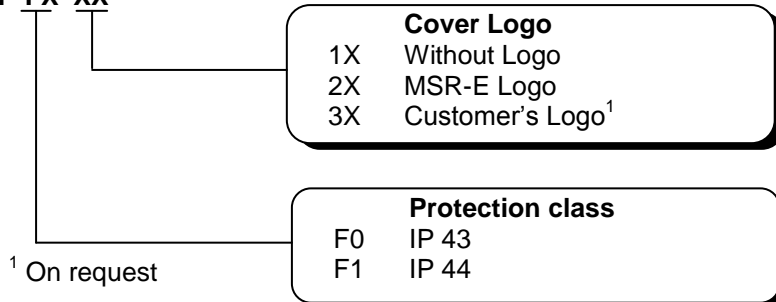


### TECHNICAL DATA

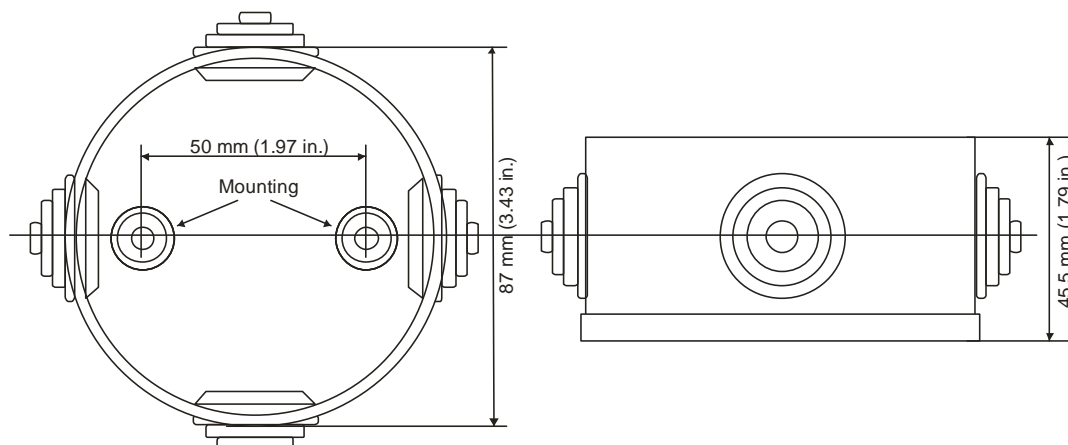
Enclosure plastic type F	GW Plast 75 GWT
Flammability	UL 94 V0
Enclosure colour	RAL 7032 (light grey)
Dimensions	(d x H) 87 x 45.5 mm (3.43 x 1.79 in.)
Weight	ca. 0.1 kg (0.22 lb.)
Protection classes	IP 43, IP 44
Installation	Wall mounting
Cable entry	Standard: 3 cable grommets M 20
Wire connection	Screw type terminals 0.25 to 2.5 mm <sup>2</sup> (24 AWG to 14 AWG)
Temperature range	-20 °C to 50 °C (-4° to 122 °F)
Gas inlet	Direct
Accessories	3 cable grommets, mounting screws

### ORDERING INFORMATION

MT-FX-XX



### DIMENSIONS



## µGard® Stainless Steel Housing Type 5 for MA and MD Transmitters

### DESCRIPTION

Shapely designed stainless steel housing for enclosing the µGard gas transmitter series equipped with a practical snap closing without screwing. To avoid unauthorized opening the housing can only be opened by the enclosed opening tool OT 01.

Opening Tool



### TECHNICAL DATA

Enclosure stainless steel type 5	V2A stainless steel, 1 mm, Material 1.4301 corrosion-resistant
Colour	Natural, brushed
Dimensions (W x H x D)	113 x 135 x 45 mm (4.5 x 5.35 x 1.8 in.)
Weight	Approx. 0.5 kg (1.1 lbs.)
Protection class	IP 55
Mounting	Wall and pillar mounting
Cable entry	Standard 1 x M 20
Wire connection	Screw type terminal, 0.25 mm <sup>2</sup> to 2.5 mm <sup>2</sup> (24 AWG to 14 AWG)
Temperature range	-20 °C to 50 °C (-4 to 122 °F)
Gas inlet	Direct
Mounting accessories	M 20 screwing, mounting screws

### ORDERING INFORMATION

MT-5-XX-XX

#### Cover Stamping

- 1X Without stamping
- 2X MSR-E stamping
- 3X Customer's stamping<sup>1</sup>

#### Cable entry

- X1 Cable entry above
- X2 Cable entry above /below
- X3 Cable entry back side<sup>2</sup>

<sup>1</sup> On request

<sup>2</sup> On request

### DIMENSIONS

