

ISOMAG ™

THE FRIENDLY MAG METER

SENSORE

MS 5000

CIAO SENSOR



**SENSOR FOR ELECTROMAGNETIC FLOWMETER: EXTREMELY EASY TO INSTALL
THANKS TO PATENTED WRAPPER FIXING SYSTEM**

The manufacturer guarantees only English text.
Available on our web site: www.isoil.com

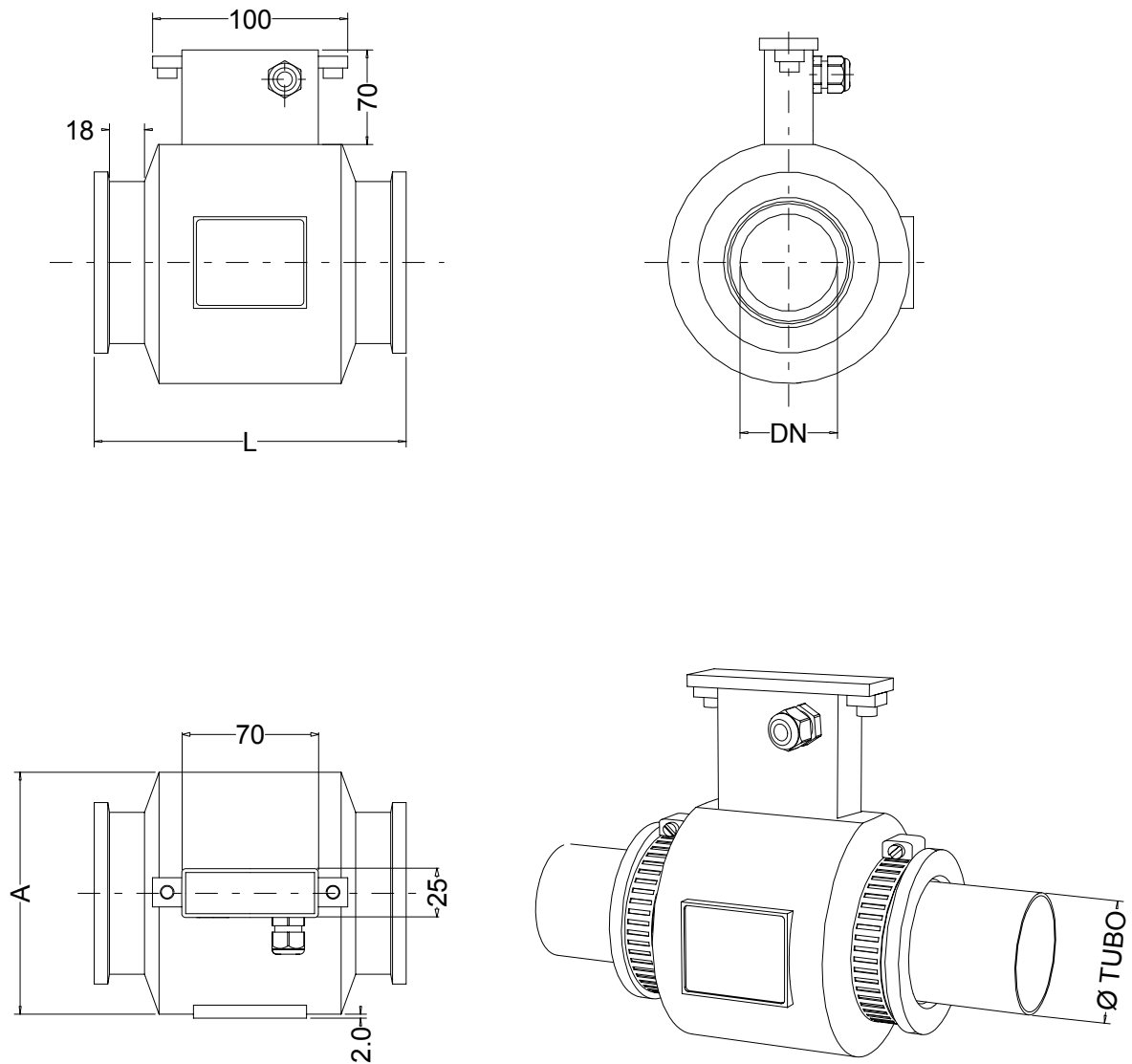
ISOIL 
INDUSTRIA

The solutions that count

TECHNICAL DATA

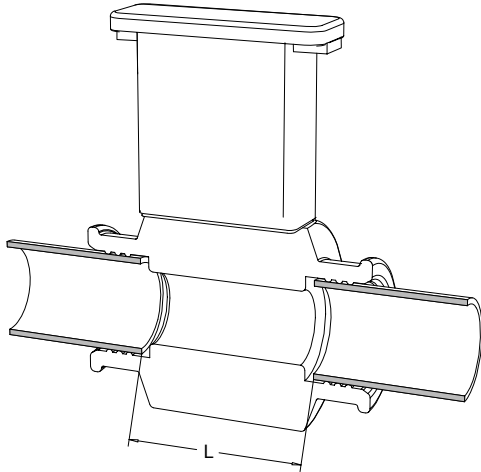
Body material	<input type="checkbox"/> Polyurethane Rubber
Nominal diameter	<input type="checkbox"/> DN 20 ÷ 80
Nominal pressure	<input type="checkbox"/> PN 6
Process connection	<input type="checkbox"/> Wrapper Fixing
Liquid temperature	<input type="checkbox"/> 0°C ÷ 50°C
Vacuum resistance	<input type="checkbox"/> 20 Kpa a 50 °C
Lining material	<input type="checkbox"/> Polyurethane Rubber
Gasket material	<input type="checkbox"/> FPM <input type="checkbox"/> EPDM
Electrodes material	<input type="checkbox"/> SS AISI 316L <input type="checkbox"/> Hastelloy C <input type="checkbox"/> Titanium
Version – protection rate	<input type="checkbox"/> Compact – IP 67 <input type="checkbox"/> Separate (max 20m) – IP 68
Accuracy	<input type="checkbox"/> ± 2 % r.v.
Repeatability	<input type="checkbox"/> ± 0,5 %

OVERALL DIMENSIONS

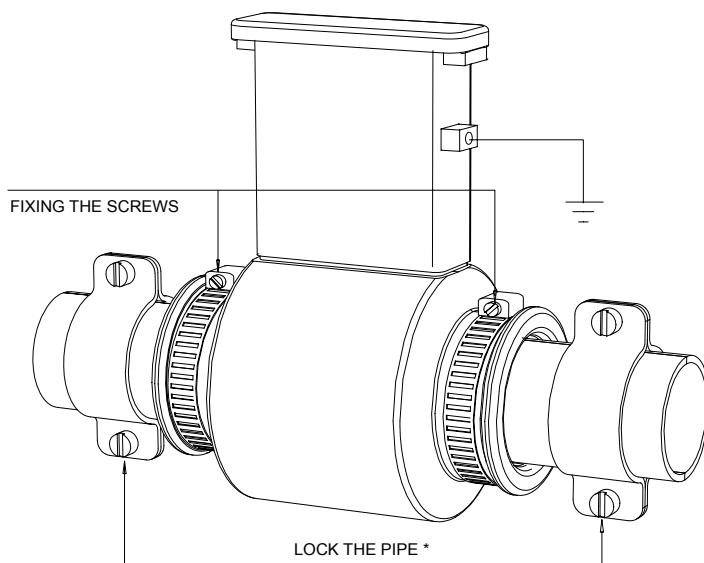


DIMENSIONI mm	DN						
	20 (3/4")	25 (1")	32 (1" 1/4)	40 (1 1/2")	50 (2")	65 (2" 1/2)	80 (3")
A	70	80	90	98	124	129	154
L	135	135	135	135	160	160	190
Ø TUBO (SERIE ISO)	26.9	33.7	42.4	48.3	60.3	76.1	88.9

INSTALLATION



DN	L (mm)	L (inches)
20	92	3.62
25	92	3.62
32	89	3.50
40	92	3.62
50	108	4.25
65	109	4.29
80	138	5.43



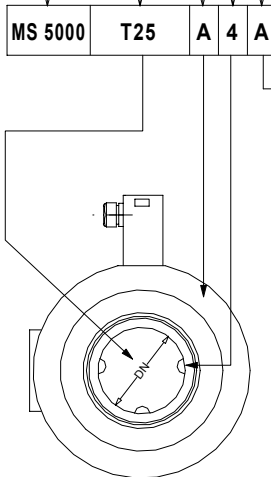
* Lock the pipe to a fixed support

- Verify the flow direction
- Assemble the sensor to the pipe
- Tighten the wrapper to avoid possible drippings
- Connect the instrument to ground by the socket on sensor

HOW TO ORDER

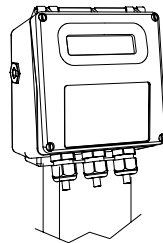
MS 5000	Nominal DN / Lining / Max. Temp.
C20 ÷ C80	from DN25 (1") up to DN 80 (3"), in POLIURHETANE, max. liquid temperat 50 °C
	Gasket Material
A	O-Ring : FPM
B	O-Ring : Epdm
Z	O-Ring : other O-Ring
	Number and material of electrodes
2	n. 3 electrodes in AISI316 L (2 measure + 1 ground)
4	n. 3 electrodes in Hastelloy C 276 (2 measure + 1 ground)
5	n. 3 electrodes in Titanium (2 measure + 1 ground)
0	other
	Version - Protection degree
A	Version compact, IP65, max liquid temp. 50 °C
B	Separate version (max lenght 10 (20 see nota 1) m., max liquid temperature 50 °C, IP68

NOTE 1 : possible wrong working of empty pipe function

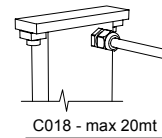


EXAMPLE OF ORDER CODE

MS 5000 T25 A 4 A



Compact



C018 - max 20mt

Separate

In accordance with a continuous evolution of the Product, the company reserves the right to modify without warning the information contained in this document