

ISOMAG ™

THE FRIENDLY MAG METER

SENSOR

MS 3770



INSERTION SENSOR: MOUNTING ONLY IN NO PRESSURE CONDITION

INSERTION FLOW METER

The manufacturer only guarantees the English text.
Available on our web site: www.isoil.com

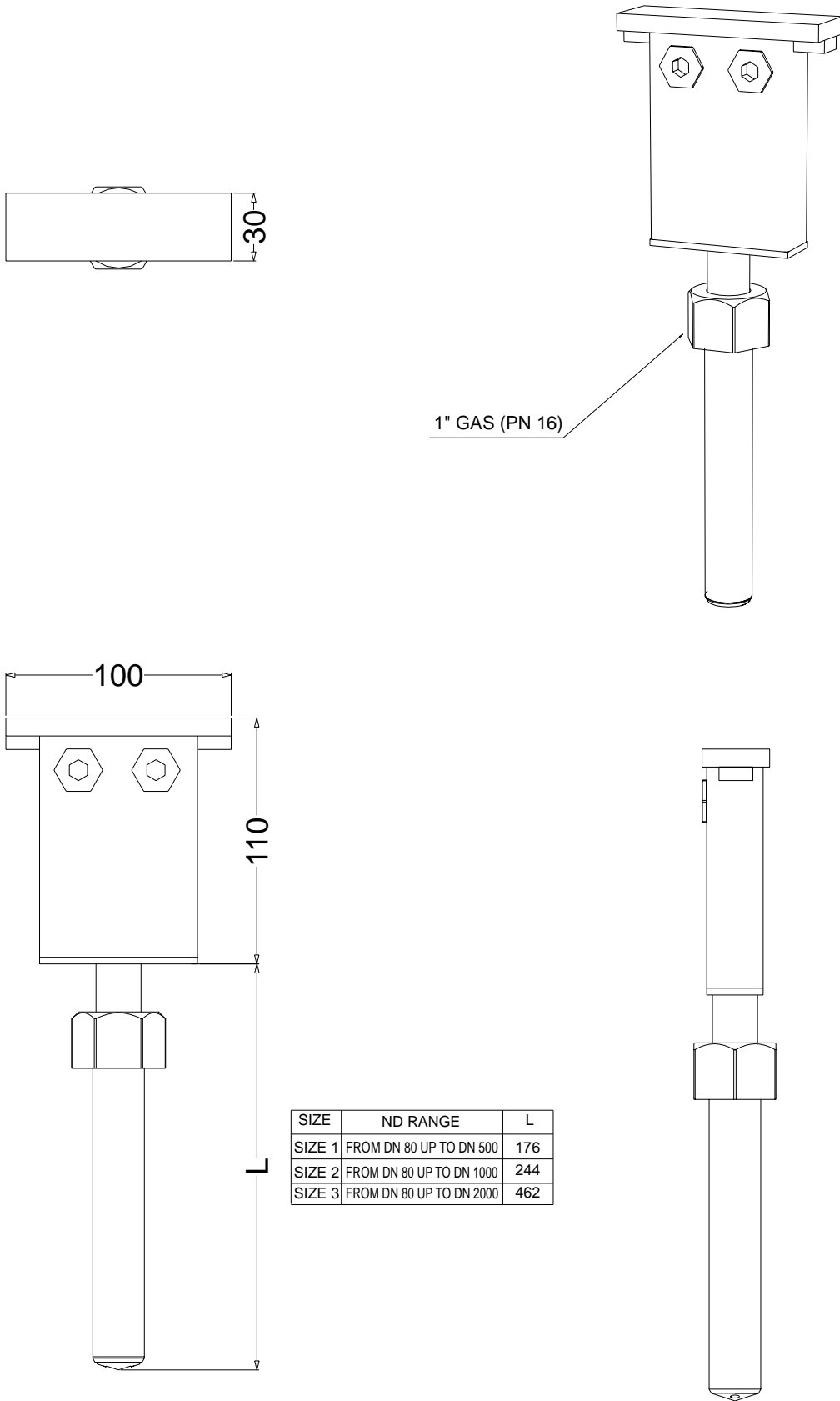
ISOIL 
INDUSTRIA

The solutions that count

TECHNICAL DATA

Body material	<input type="checkbox"/> Stainless steel AISI 304 <input type="checkbox"/> Stainless steel AISI 316
Size for pipe line Ø	<input type="checkbox"/> Size 1 Ø ≤ 500mm <input type="checkbox"/> Size 2 Ø ≤ 1000mm <input type="checkbox"/> Size 3 Ø ≤ 2000mm <input type="checkbox"/> Other on request
Nominal pressure	<input type="checkbox"/> NP 16 <input type="checkbox"/> Other on request
Process connection	<input type="checkbox"/> 1" Threaded end <input type="checkbox"/> Other on request
Connection material	<input type="checkbox"/> Stainless steel AISI 304
Liquid temperature	<input type="checkbox"/> -4°F ÷ 212 compact version <input type="checkbox"/> -4°F ÷ 302 separate version
Lining material/Tightness	<input type="checkbox"/> PTFE/FPM
Electrode material	<input type="checkbox"/> Stainless steel AISI 316L <input type="checkbox"/> Other on request
Version – protection rate	<input type="checkbox"/> Compact version – IP 67 <input type="checkbox"/> Separate version (max 20m) – IP 68 <input type="checkbox"/> Separate version (max 500 m), with preamplifier – IP 67 (OPT. IP 68)
Accuracy	<input type="checkbox"/> ± 2,5 % with all converters, flow speed > 1 m/s
Repeatability	<input type="checkbox"/> ± 0,5 %

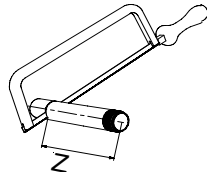
OVERALL DIMENSIONS



INSTALLATION

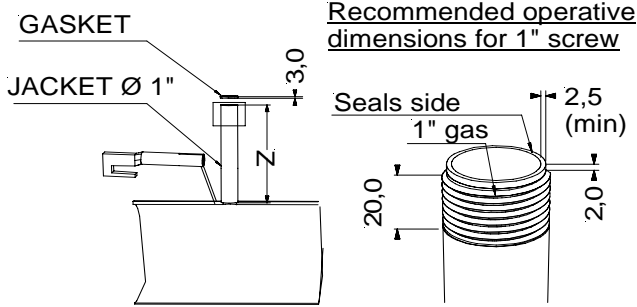
Pic. 1

Cut the Ø 1" jacket as in picture 1.
(check also PIC. 6)
ATTENTION: consider the necessary over-metal for the welding operation



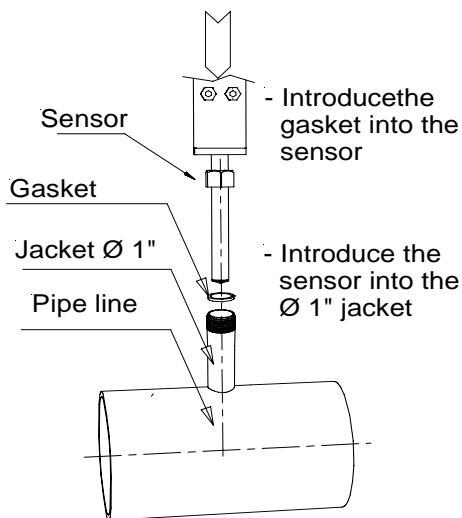
Z=L-S-1/8D-32

Pic. 2

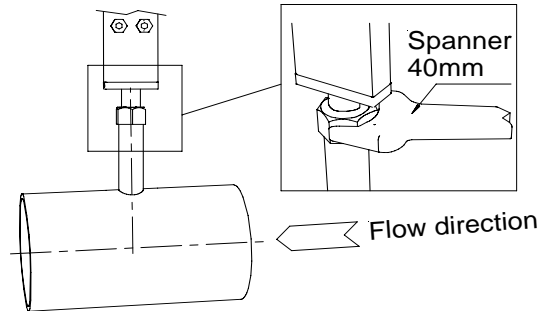


weld the jacket to the pipe line

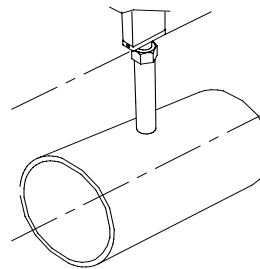
Pic. 3



Pic. 4



Pic. 5

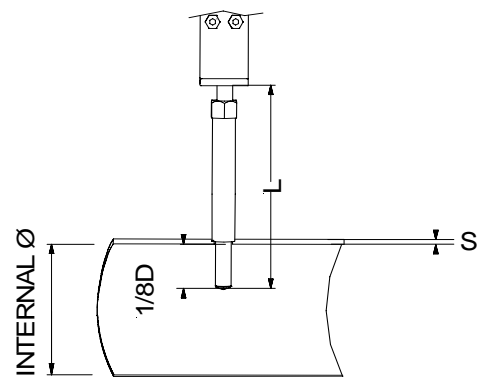


- align longitudinally the connector box with the pipe line axis
- Tighten the nut with a spanner keeping the alignment.
The fixing of the nut must guarantee the sealing of the gasket

Pic. 6

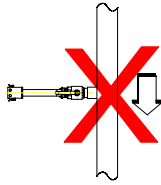
SIZE	ND RANGE	L
SIZE 1	DN 80 UP TO DN 500	176
SIZE 2	DN 80 UP TO DN 1000	244
SIZE 3	DN 80 UP TO DN 2000	462

Sensor installed

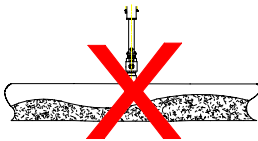


INSTALLATION RECCOMANDATION

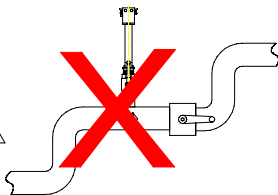
AVOID



For vertical installations with descending flow direction contact the manufacturer

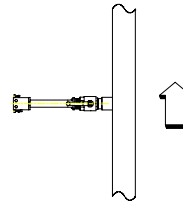


Avoid the functioning with partially empty pipe

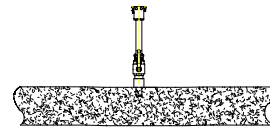


Avoid the installation near bends or hydraulic accessories

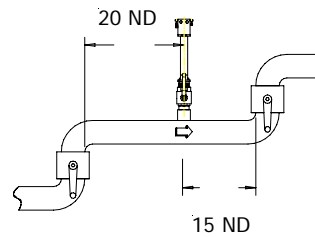
RECOMMENDED



In vertical installations an ascending flow is preferable



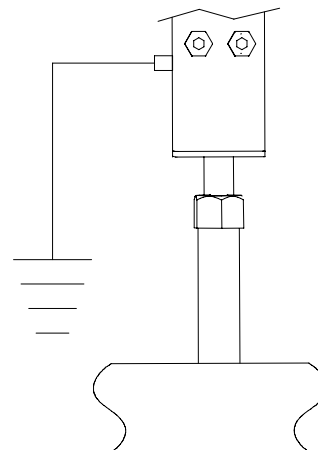
During the functioning the pipe must be either completely full of liquid or completely empty



Install the sensor away from bends and hydraulic accessories

SENSOR GROUNDING

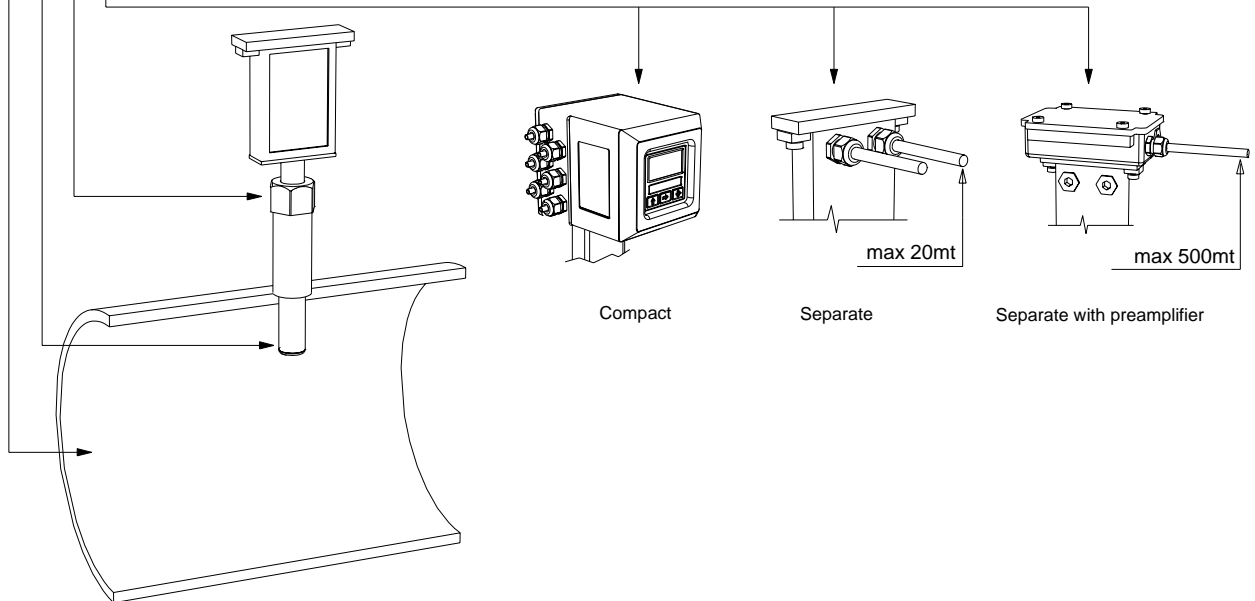
For the correct operation of the meter it is **NECESSARY** that sensor and liquid are equipotential, so **ALWAYS** connect sensor and converter to the ground. For grounding with cathodic protection pipe, please contact the manufacturer.



HOW TO ORDER

MS 3770	ND range pipeline
1	suitable for diameter ≤ 500 mm.
2	suitable for diameter ≤ 1000 mm.
3	suitable for diameter ≤ 2000 mm.
9	suitable for diameter : to be specified
Sensor and electrodes material / lining	
A	Sensor material AISI304, PTFE lining, electrodes in AISI316 (gasket in FPM) , junction box in AISI 304
Z	Sensor material: to be specified
Accessory for mounting in pressurised pipe line	
1	1" male threaded connection
0	Special connection: to be specified
Execution - Protection rate	
A	Compact execution, IP67 protection rate, liquid maximum temperature 100 °C
B	Separate execution "C", maximum length 10 m (20m, see note 1), liquid maximum temperature 150 °C, protection rate IP68
C	Separate execution "L" (in Carbon Steel), with preamplifier (maximum length 500 m), liquid maximum temperature 100 °C, protection rate IP67
D	Separate execution "L" (in AISI304), with preamplifier (maximum length 500 m.), liquid maximum temperature 100 °C, protection rate IP67

MS 3770 1 A 1 A **EXAMPLE OF ORDER CODE**



In accordance with a continuous evolution of the Product, the company reserves the right to modify without warning the information contained in this document