

**FAST CONVERTER**

**ISOMAG**  **TM**  
THE FRIENDLY MAG METER

**CONVERTER**

**ML4-F1**



**HIGH SAMPLING RATE CONVERTER  
(UP TO 400 SAMPLING/SECOND)**

The manufacturer guarantees only English text.  
Available on our web site: [www.isoil.com](http://www.isoil.com)

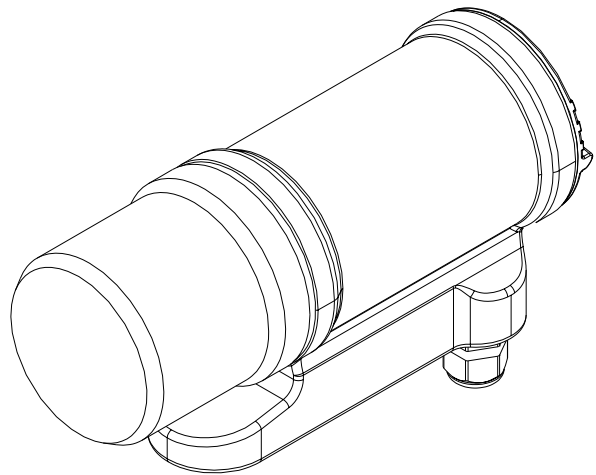
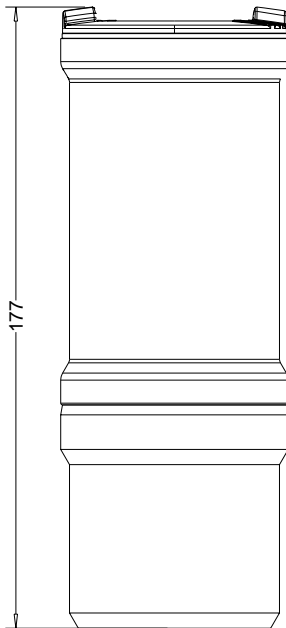
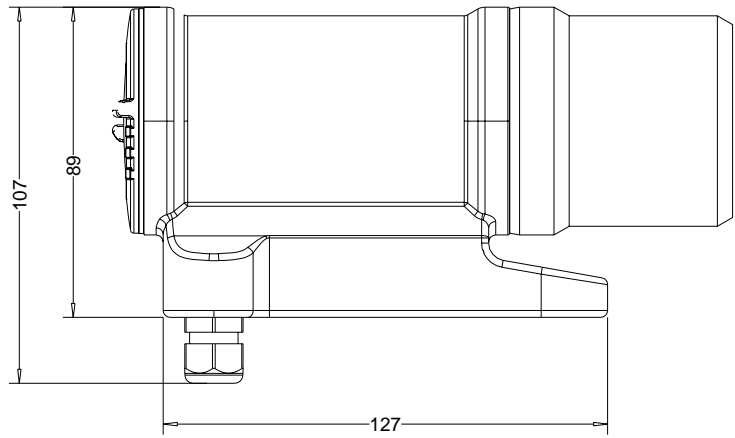
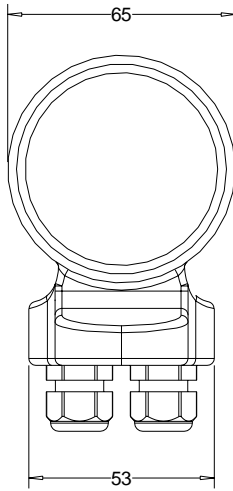
**ISOIL**   
INDUSTRIA

*The solutions that count*

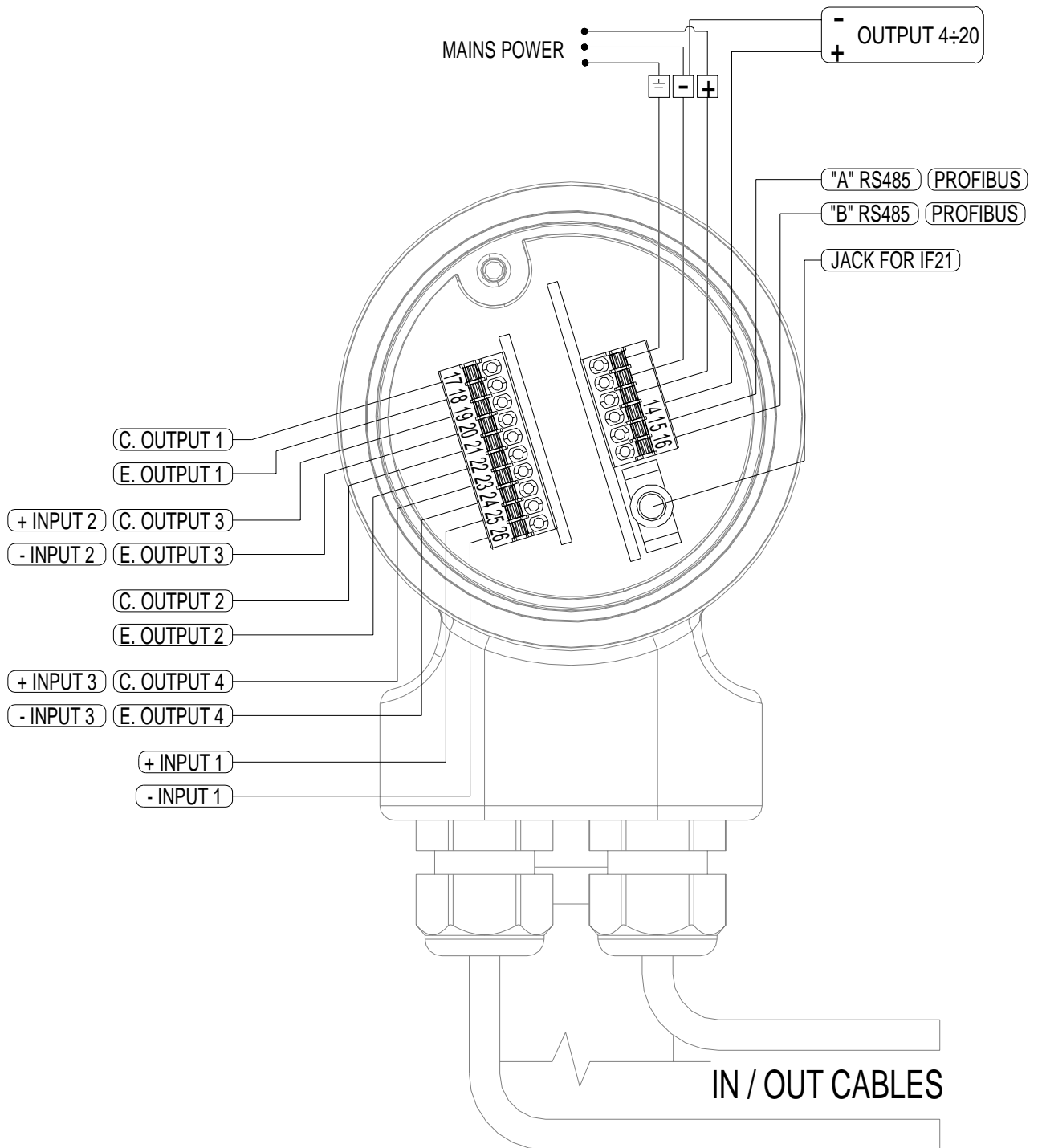
## TECHNICAL DATA

Material Box	<input type="checkbox"/> Stainless steel AISI 304
Protection Rate	<input type="checkbox"/> IP 67
Cable Gland	<input type="checkbox"/> N° 2 PG 9
Amb. Temperature	<input type="checkbox"/> - 20... +60°C ( max 40°C with liquid > 60 °C)
Liquid temperature	<input type="checkbox"/> Max 100°C ( 130 °C for 30 min ; no time limits if converter off )
Pulse/Frequency Output	<input type="checkbox"/> 1250 Hz / 100mA, 40 Vdc
Digital Input/Outputs	<input type="checkbox"/> N° 5 O.C. freely Programmable function ( as input or output )
Current Output	<input type="checkbox"/> (OPTIONAL) 4...20mA – RL 800Ω passive ( p.s. 20-30 VDC)
Communication interface	<input type="checkbox"/> RS485/PROFIBUS DP ( Optional )
Bi-Directional	<input type="checkbox"/> Yes
FS Value	<input type="checkbox"/> 0,4...10m/s
Diagnostic Funct.	<input type="checkbox"/> Yes
Empty Pipe Detect.	<input type="checkbox"/> Yes
Galvanic Isolation	<input type="checkbox"/> All the inputs/outputs are galvanically insulated from power supply
Data Storage	<input type="checkbox"/> Eeprom stored measuring values on power failure
Programming Plug In	<input type="checkbox"/> Protected plug in for connection to PC
Batch Function	<input type="checkbox"/> Yes, also with auto-preset
CE Certification	<input type="checkbox"/> Instrument with CE certificate
Measurement Tolerance	<input type="checkbox"/> Flow rate (volume) = $\pm 0,05\%$ r.v.
	<input type="checkbox"/> Out 4/20 mA = $\pm 0,08\%$ r.v.
	<input type="checkbox"/> Frequency Out = $\pm 0,08\%$ r.v.
Repeatability	<input type="checkbox"/> Better than 0,01%
Power Supply	<input type="checkbox"/> 18 ... 30 VDC ( 20 .... 30 VDC with 4/20 mA option )

# OVERALL DIMENSIONS

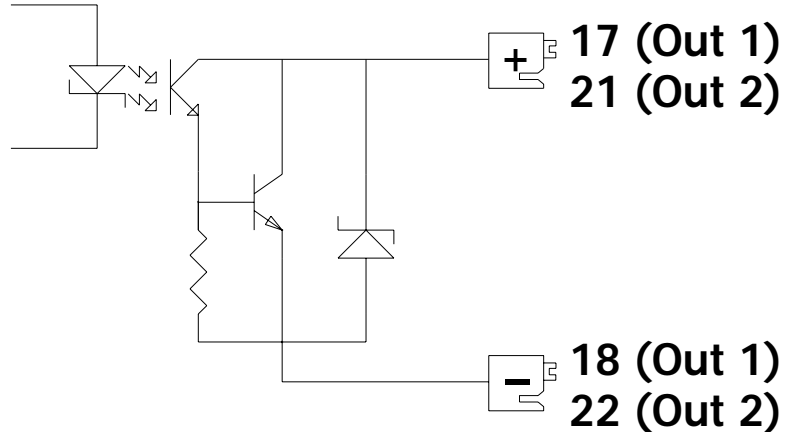


# ELECTRICAL CONNECTION

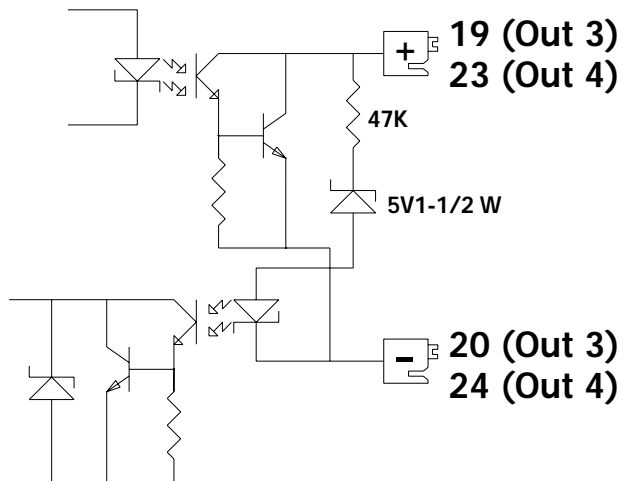


# INPUTS / OUTPUTS

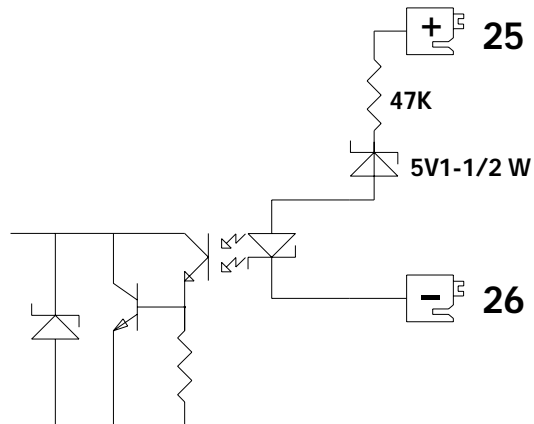
OUTPUT



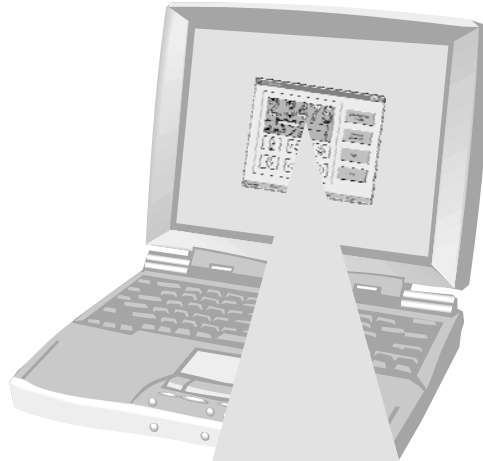
PROGRAMMABLE INPUT/OUTPUT



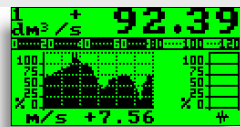
INPUT



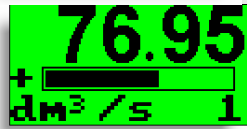
# VISUALIZATION PAGES



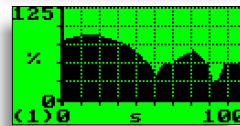
Flowrate and totalizes visualization



Flowrate, speed values and graph



Flowrate value and Full scale % graph



Flowrate graph



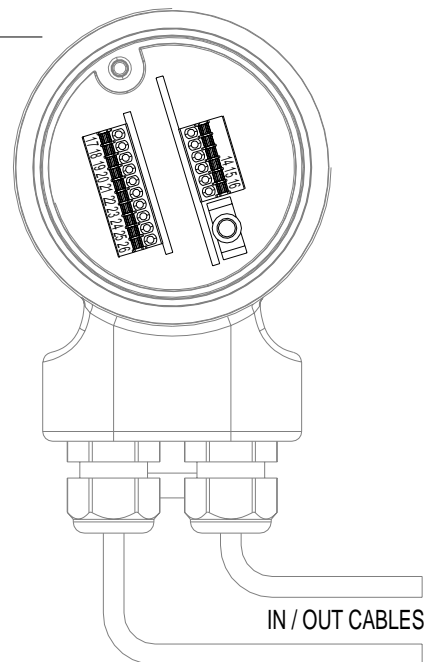
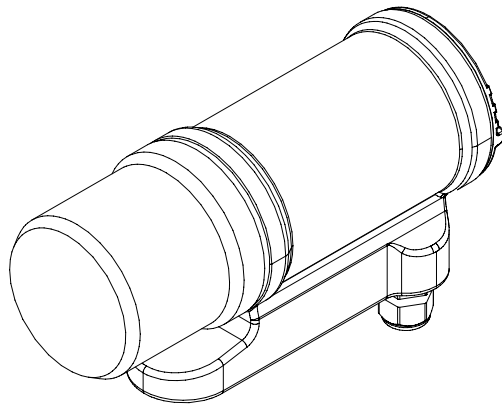
Flowrate value with currency function enabled

Different possibilities of visualization with the simple key pressure

## HOW TO ORDER

<b>ML4F1</b>	<b>Display</b>
<b>A</b>	Blind execution (without display and programming keys)
<b>Housing material - Protection rate</b>	
<b>1</b>	AISI304 Stainless Steel housing, protection rate IP67
<b>Version</b>	
<b>A</b>	Compact version with sensor MS... (liquid maximum temperature 100/130°C)
<b>Analogue output</b>	
<b>0</b>	Without Analogue output
<b>1</b>	Analogue output 4...20/22 mA ( passive )
<b>Additional module</b>	
<b>A</b>	Without additional module
<b>B</b>	ME 32 : Profibus DP module
<b>C</b>	ME 33 : RS 485 communication module

ML4F1    A    1    A    0    A



In accordance with a continuous evolution of the Product, the company reserves the right to modify without warning the information contained in this document